

Write your name here

Surname

Other names

Pearson Edexcel
Level 1/Level 2 GCSE (9 - 1)

Centre Number

--	--	--	--	--

Candidate Number

--	--	--	--

Mathematics

Paper 1 (Non-Calculator)

Higher Tier

Sample Assessment Materials – Issue 2

Time: 1 hour 30 minutes

Paper Reference

1MA1/1H

You must have: Ruler graduated in centimetres and millimetres, protractor, pair of compasses, pen, HB pencil, eraser.

Total Marks



Instructions

- Use **black** ink or ball-point pen.
- **Fill in the boxes** at the top of this page with your name, centre number and candidate number.
- Answer **all** questions.
- Answer the questions in the spaces provided – *there may be more space than you need.*
- **Calculators may not be used.**
- Diagrams are **NOT** accurately drawn, unless otherwise indicated.
- You must **show all your working out.**

Information

- The total mark for this paper is 80
- The marks for **each** question are shown in brackets – *use this as a guide as to how much time to spend on each question.*

Advice

- Read each question carefully before you start to answer it.
- Keep an eye on the time.
- Try to answer every question.
- Check your answers if you have time at the end.

S48572A

©2015 Pearson Education Ltd.

6/4/17/14/6/6/



Turn over ►

PEARSON

Answer ALL questions.

Write your answers in the spaces provided.

You must write down all the stages in your working.

1 Work out 6.34×5.2

.....
(Total for Question 1 is 3 marks)

2 Expand and simplify $(m + 7)(m + 3)$

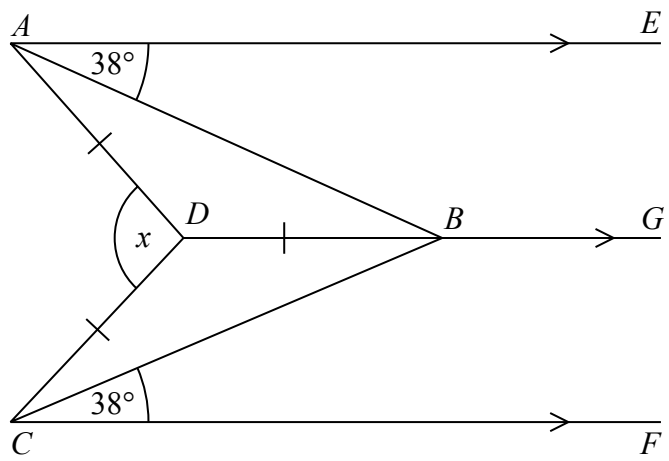
.....
(Total for Question 2 is 2 marks)

DO NOT WRITE IN THIS AREA

DO NOT WRITE IN THIS AREA

DO NOT WRITE IN THIS AREA

3



AE, *DBG* and *CF* are parallel.
 $DA = DB = DC$.
Angle $EAB = \text{angle } BCF = 38^\circ$

Work out the size of the angle marked x .
You must show your working.

(Total for Question 3 is 3 marks)

4 Gary drove from London to Sheffield.
It took him 3 hours at an average speed of 80km/h.

Lyn drove from London to Sheffield.
She took 5 hours.

Assuming that Lyn
drove along the same roads as Gary
and did not take a break,

(a) work out Lyn's average speed from London to Sheffield.

..... km/h
(3)

(b) If Lyn did **not** drive along the same roads as Gary, explain how this could affect your answer to part (a).

.....
.....
(1)

(Total for Question 4 is 4 marks)

DO NOT WRITE IN THIS AREA

DO NOT WRITE IN THIS AREA

DO NOT WRITE IN THIS AREA

5 In a company, the ratio of the number of men to the number of women is 3 : 2

40% of the men are under the age of 25

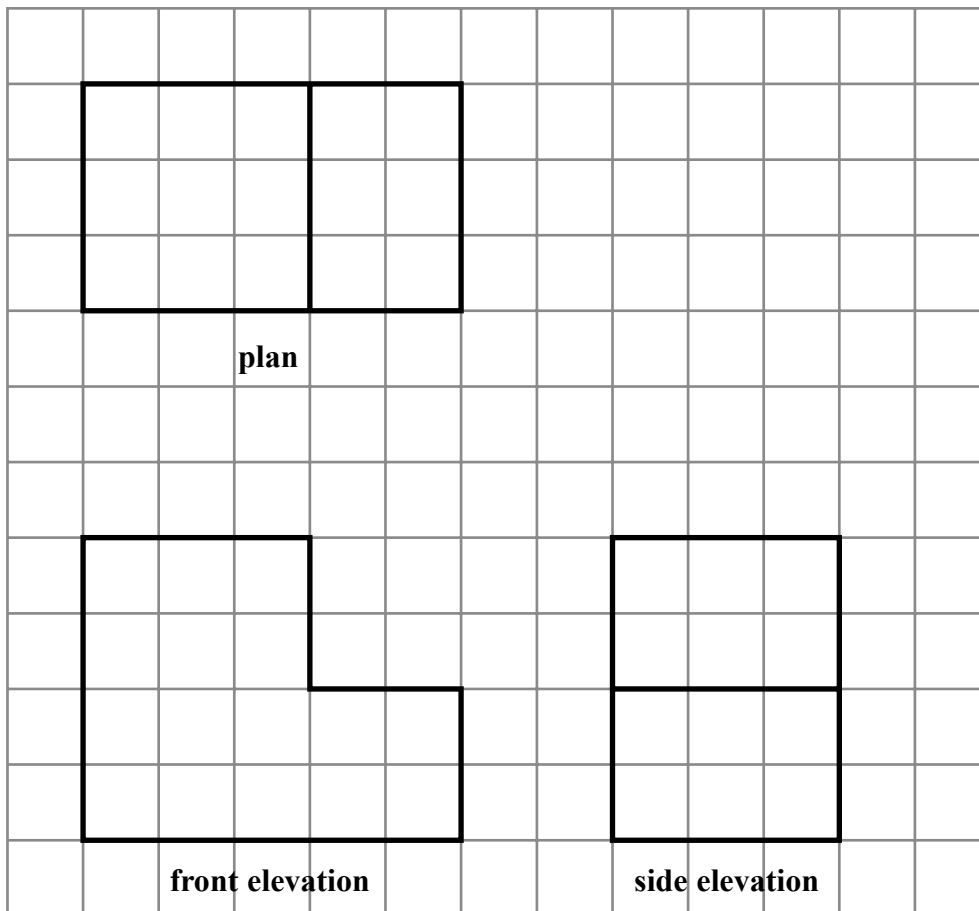
10% of the women are under the age of 25

What percentage of all the people in the company are under the age of 25?

.....%

(Total for Question 5 is 4 marks)

- 6 The plan, front elevation and side elevation of a solid prism are drawn on a centimetre grid.



DO NOT WRITE IN THIS AREA

DO NOT WRITE IN THIS AREA

DO NOT WRITE IN THIS AREA

In the space below, draw a sketch of the solid prism.
Write the dimensions of the prism on your sketch.

(Total for Question 6 is 2 marks)

7 There are 1200 students at a school.

Kate is helping to organise a party.
She is going to order pizza.

Kate takes a sample of 60 of the students at the school.
She asks each student to tell her **one** type of pizza they want.

The table shows information about her results.

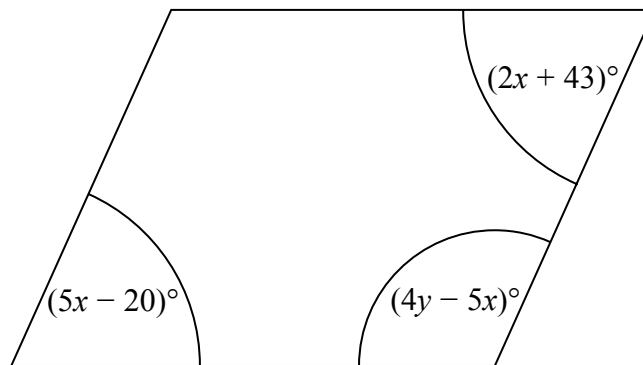
Pizza	Number of students
ham	20
salami	15
vegetarian	8
margarita	17

Work out how much ham pizza Kate should order.

Write down any assumption you make **and** explain how this could affect your answer.

(Total for Question 7 is 3 marks)

8 Here is a parallelogram.



Work out the value of x and the value of y .

$$x = \dots\dots\dots$$

$$y = \dots\dots\dots$$

(Total for Question 8 is 5 marks)

DO NOT WRITE IN THIS AREA

DO NOT WRITE IN THIS AREA

DO NOT WRITE IN THIS AREA

- 9 Work out the value of $(9 \times 10^{-4}) \times (3 \times 10^7)$
Give your answer in standard form.

.....

(Total for Question 9 is 2 marks)

- 10 (a) Write down the value of $64^{\frac{1}{2}}$

.....

(1)

- (b) Find the value of $\left(\frac{8}{125}\right)^{-\frac{2}{3}}$

.....

(2)

(Total for Question 10 is 3 marks)

11 One uranium atom has a mass of 3.95×10^{-22} grams.

(a) Work out an estimate for the number of uranium atoms in 1 kg of uranium.

.....
(3)

(b) Is your answer to (a) an underestimate or an overestimate?
Give a reason for your answer.

.....
.....
(1)

(Total for Question 11 is 4 marks)

DO NOT WRITE IN THIS AREA

DO NOT WRITE IN THIS AREA

DO NOT WRITE IN THIS AREA

DO NOT WRITE IN THIS AREA

DO NOT WRITE IN THIS AREA

DO NOT WRITE IN THIS AREA

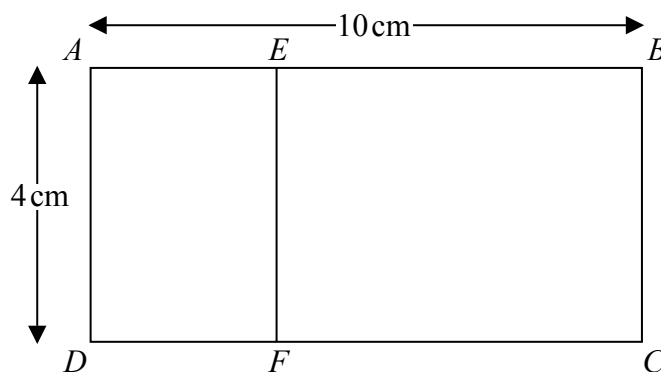
12 Pressure = $\frac{\text{force}}{\text{area}}$

Find the pressure exerted by a force of 900 newtons on an area of 60 cm².
Give your answer in newtons/m².

..... newtons/m²

(Total for Question 12 is 2 marks)

13 Rectangle *ABCD* is mathematically similar to rectangle *DAEF*.



AB = 10 cm.
AD = 4 cm.

Work out the area of rectangle *DAEF*.

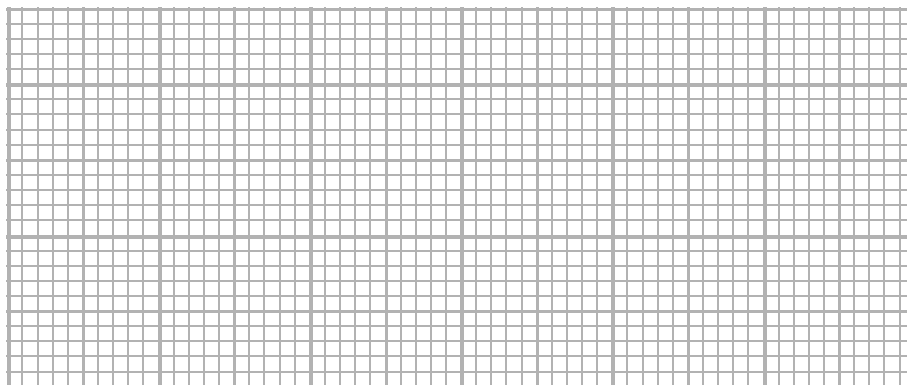
..... cm²

(Total for Question 13 is 3 marks)

14 Ben played 15 games of basketball.
Here are the points he scored in each game.

17 18 18 18 19 20 20 22 23 23 23 26 27 28 28

(a) Draw a box plot for this information.



(3)

Sam plays in the same 15 games of basketball.

The median number of points Sam scored is 23

The interquartile range of these points is 12

The range of these points is 20

(b) Who is more consistent at scoring points, Sam or Ben?

You must give a reason for your answer.

(2)

(Total for Question 14 is 5 marks)

15 In a shop, all normal prices are reduced by 20% to give the sale price.

The sale price of a TV set is then reduced by 30%.

Mary says,

“ $30 + 20 = 50$, so this means that the normal price of the TV set has been reduced by 50%.”

Is Mary right?

You must give a reason for your answer.

.....

.....

.....

(Total for Question 15 is 2 marks)

16 Factorise fully $20x^2 - 5$

.....

(Total for Question 16 is 2 marks)

17 Make a the subject of $a + 3 = \frac{2a + 7}{r}$

.....

(Total for Question 17 is 3 marks)

18 Solid **A** and solid **B** are mathematically similar.

The ratio of the surface area of solid **A** to the surface area of solid **B** is 4:9

The volume of solid **B** is 405 cm^3 .

Show that the volume of solid **A** is 120 cm^3 .

(Total for Question 18 is 3 marks)

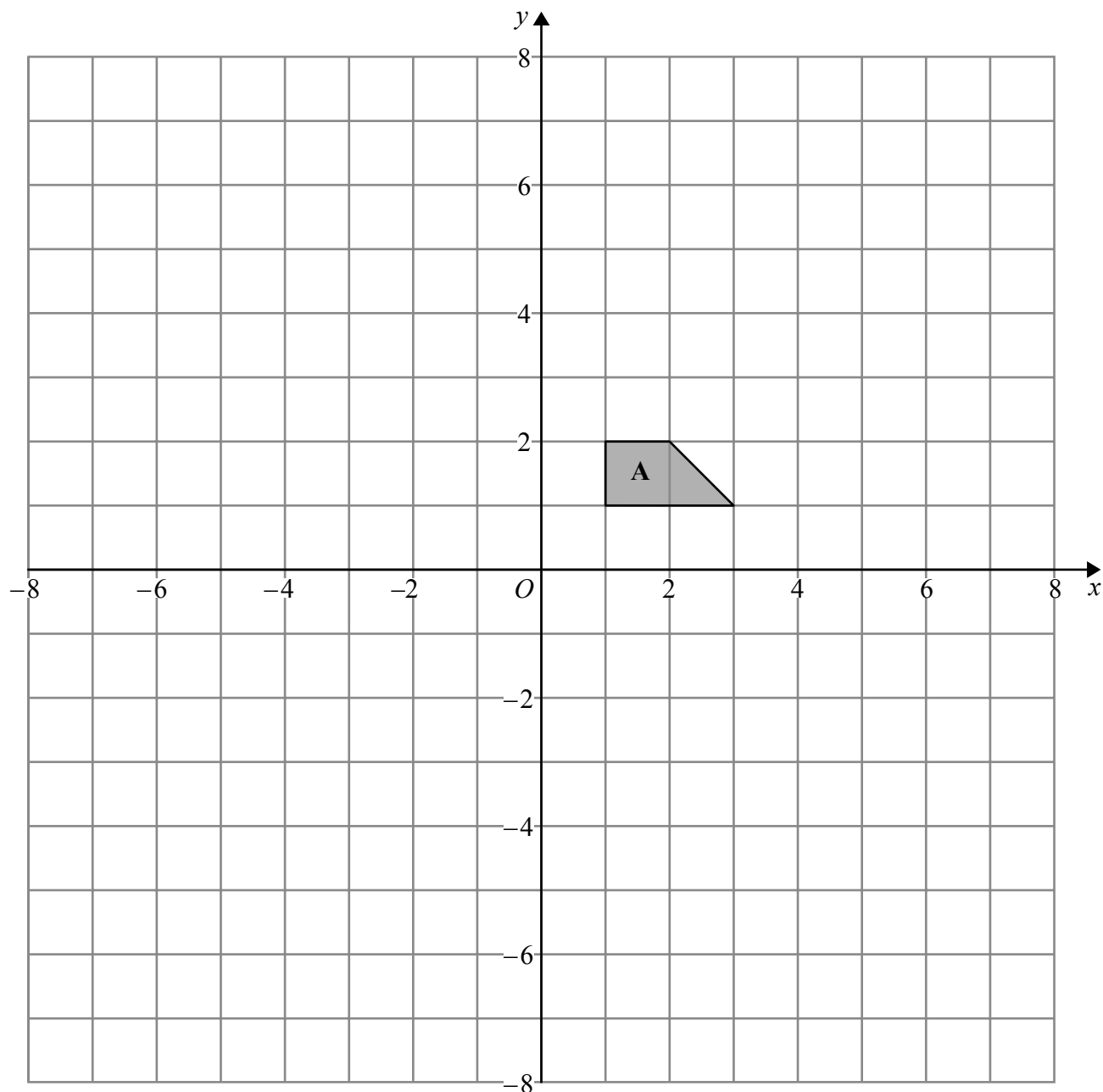
19 Solve $x^2 > 3x + 4$

(Total for Question 19 is 3 marks)

DO NOT WRITE IN THIS AREA

DO NOT WRITE IN THIS AREA

DO NOT WRITE IN THIS AREA



- (a) Enlarge shape **A** by scale factor -2 , centre $(0, 0)$
Label your image **B**.

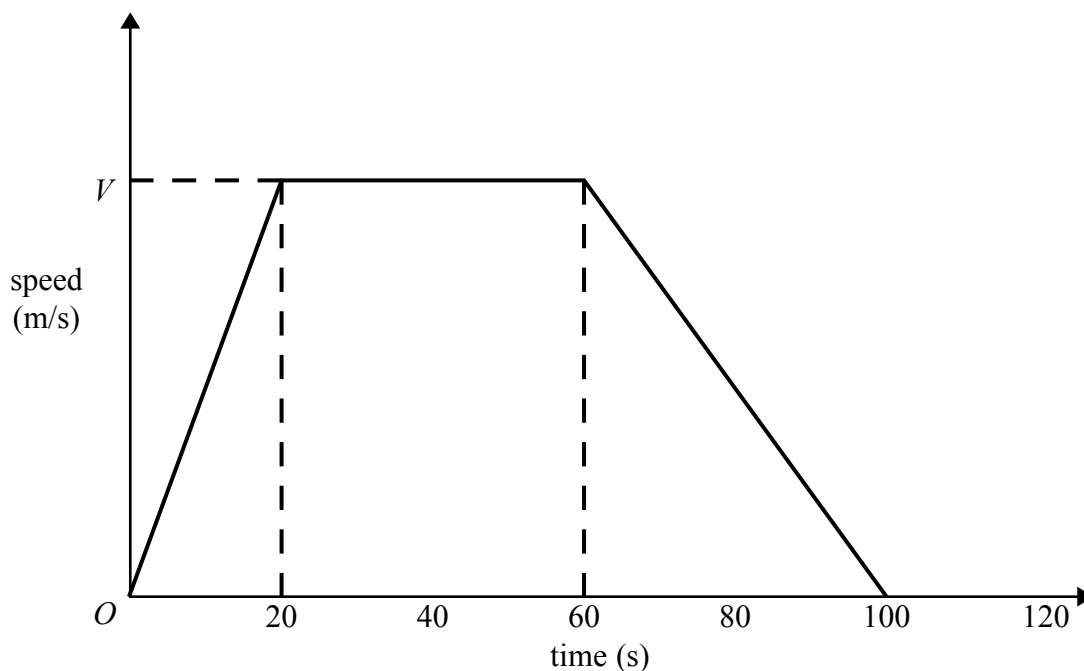
(2)

- (b) Describe fully the single transformation that will map shape **B** onto shape **A**.

(1)

(Total for Question 20 is 3 marks)

21 Here is a speed-time graph for a car journey.
The journey took 100 seconds.



The car travelled 1.75 km in the 100 seconds.

(a) Work out the value of V .

.....
(3)

(b) Describe the acceleration of the car for each part of this journey.

.....
.....
.....
.....
(2)

(Total for Question 21 is 5 marks)

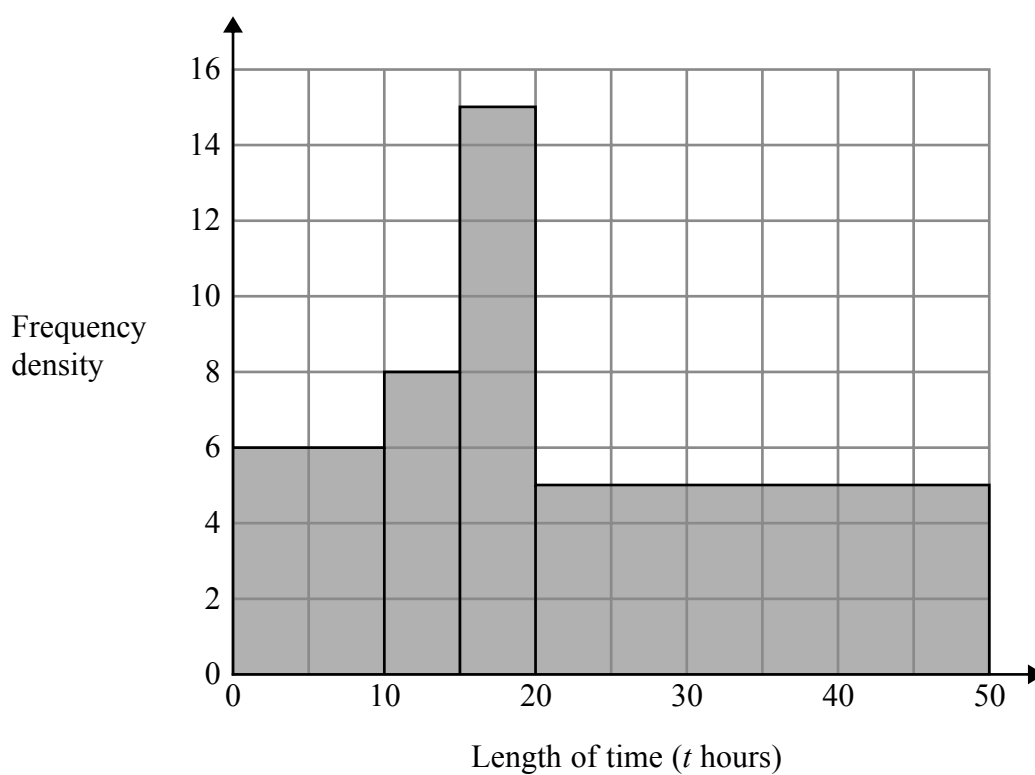
DO NOT WRITE IN THIS AREA

22 Bhavna recorded the lengths of time, in hours, that some adults watched TV last week.

The table shows information about her results.

Length of time (t hours)	Frequency
$0 \leq t < 10$	6
$10 \leq t < 15$	8
$15 \leq t < 20$	15
$20 \leq t < 40$	5

Bhavna made some mistakes when she drew a histogram for this information.



Write down **two** mistakes Bhavna made.

- 1
-
- 2
-

(Total for Question 22 is 2 marks)

DO NOT WRITE IN THIS AREA

DO NOT WRITE IN THIS AREA

23 Show that $\frac{1}{1 + \frac{1}{\sqrt{2}}}$ can be written as $2 - \sqrt{2}$

(Total for Question 23 is 3 marks)

DO NOT WRITE IN THIS AREA

DO NOT WRITE IN THIS AREA

DO NOT WRITE IN THIS AREA

DO NOT WRITE IN THIS AREA

DO NOT WRITE IN THIS AREA

DO NOT WRITE IN THIS AREA

24 John has an empty box.

He puts some red counters and some blue counters into the box.

The ratio of the number of red counters to the number of blue counters is 1 : 4

Linda takes at random 2 counters from the box.

The probability that she takes 2 red counters is $\frac{6}{155}$

How many red counters did John put into the box?

.....
(Total for Question 24 is 4 marks)

- 25 $A(-2, 1)$, $B(6, 5)$ and $C(4, k)$ are the vertices of a right-angled triangle ABC .
Angle ABC is the right angle.

Find an equation of the line that passes through A and C .

Give your answer in the form $ay + bx = c$ where a , b and c are integers.

DO NOT WRITE IN THIS AREA

DO NOT WRITE IN THIS AREA

DO NOT WRITE IN THIS AREA

(Total for Question 25 is 5 marks)

TOTAL FOR PAPER IS 80 MARKS